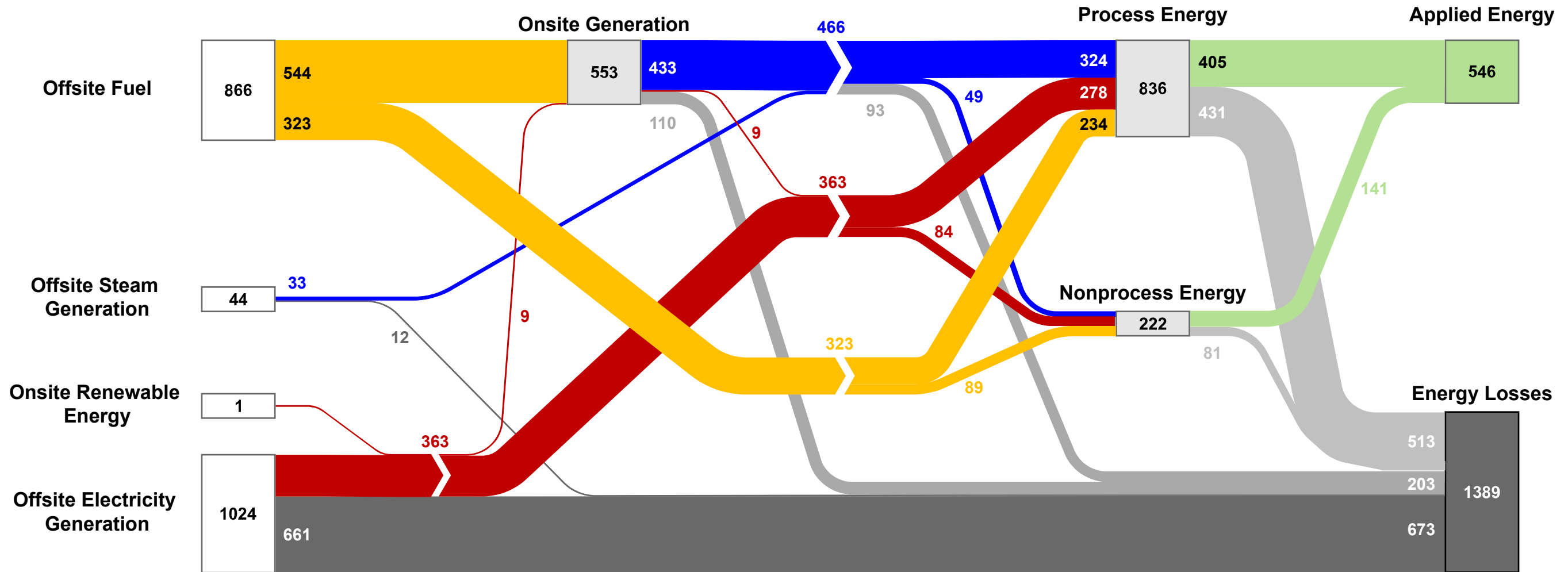


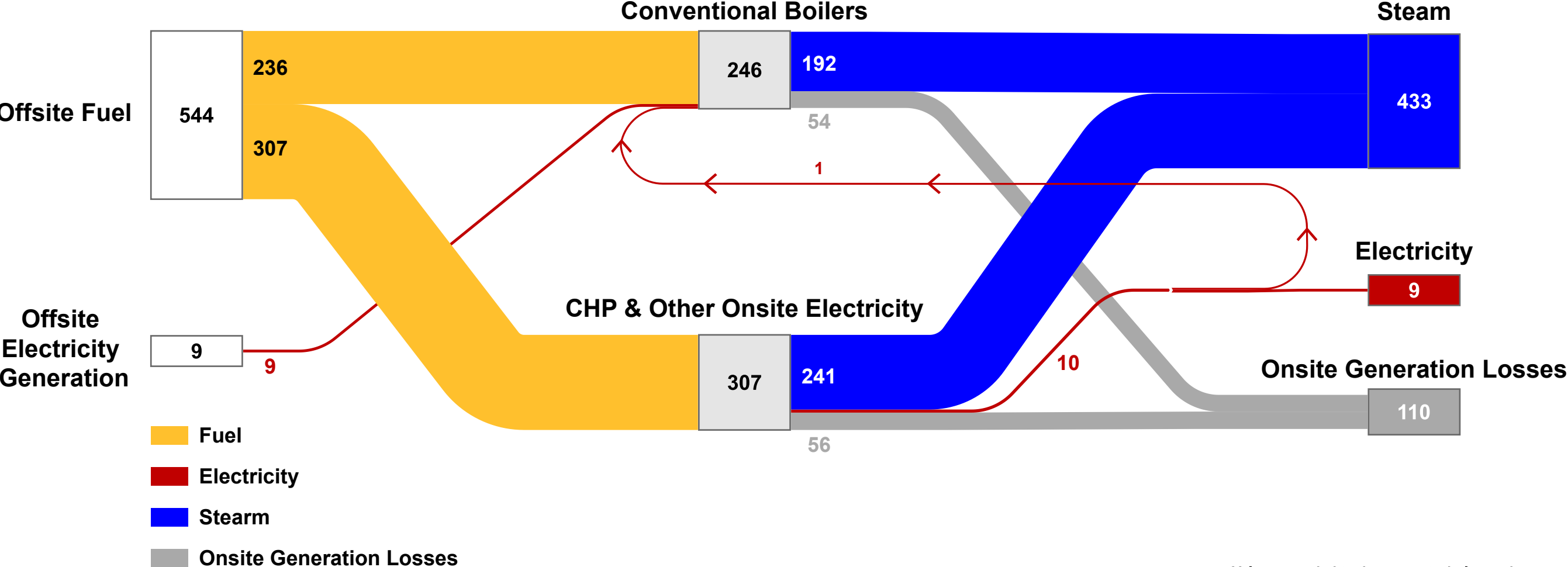
# Food and Beverage (NAICS 311, 312) Energy Consumption and Loss (TBtu), 2018



- Fuel
- Electricity
- Steam
- Applied Energy
- Offsite Generation and Transmission Losses
- Onsite Generation and Distribution Losses
- End Use Losses

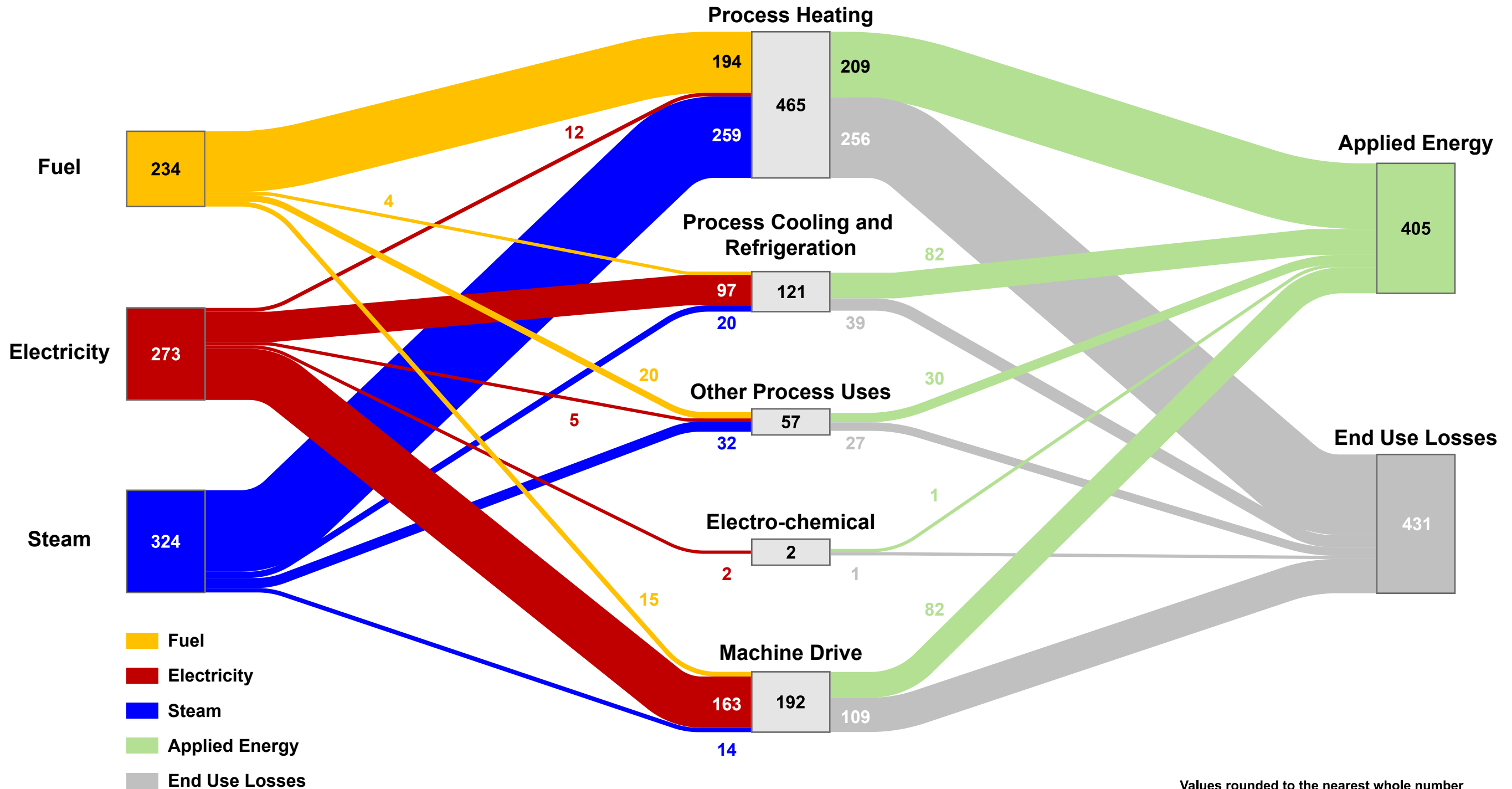
Values rounded to the nearest whole number

# Food and Beverage (NAICS 311, 312) Onsite Generation (TBtu), 2018



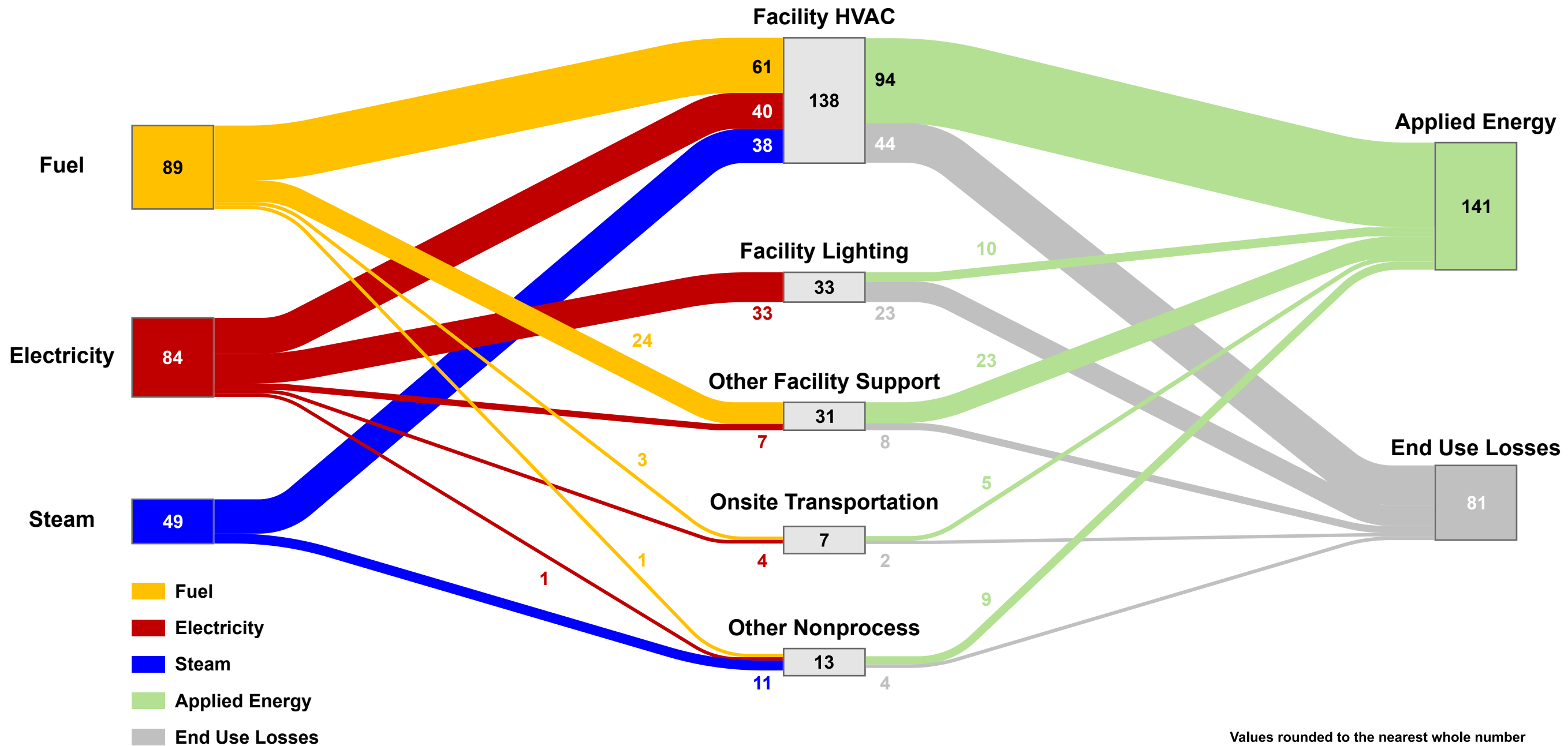
Values rounded to the nearest whole number

# Food and Beverage (NAICS 311, 312) Process Energy (TBtu), 2018



Values rounded to the nearest whole number

# Food and Beverage (NAICS 311, 312) Nonprocess Energy (TBtu), 2018



Values rounded to the nearest whole number