

Cordova Electric Cooperative Black Start for Microgrids

Electricity Advisory Committee (EAC)
October Virtual Meeting
October 20, 2021

Cordova, AK (aerial view)

Legacy Black Start Capable Assets

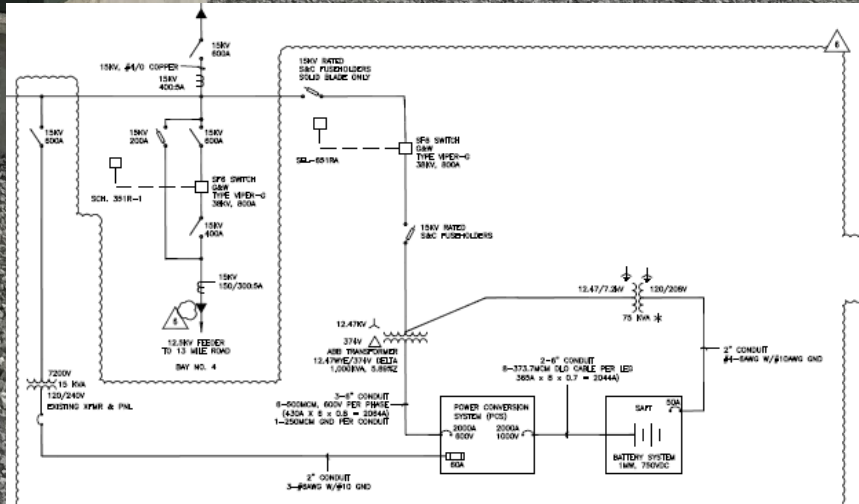
- Can sometimes be bolted on
- Can add low-cost grid resiliency
 - Segmented Microgrids
 - Redundancy

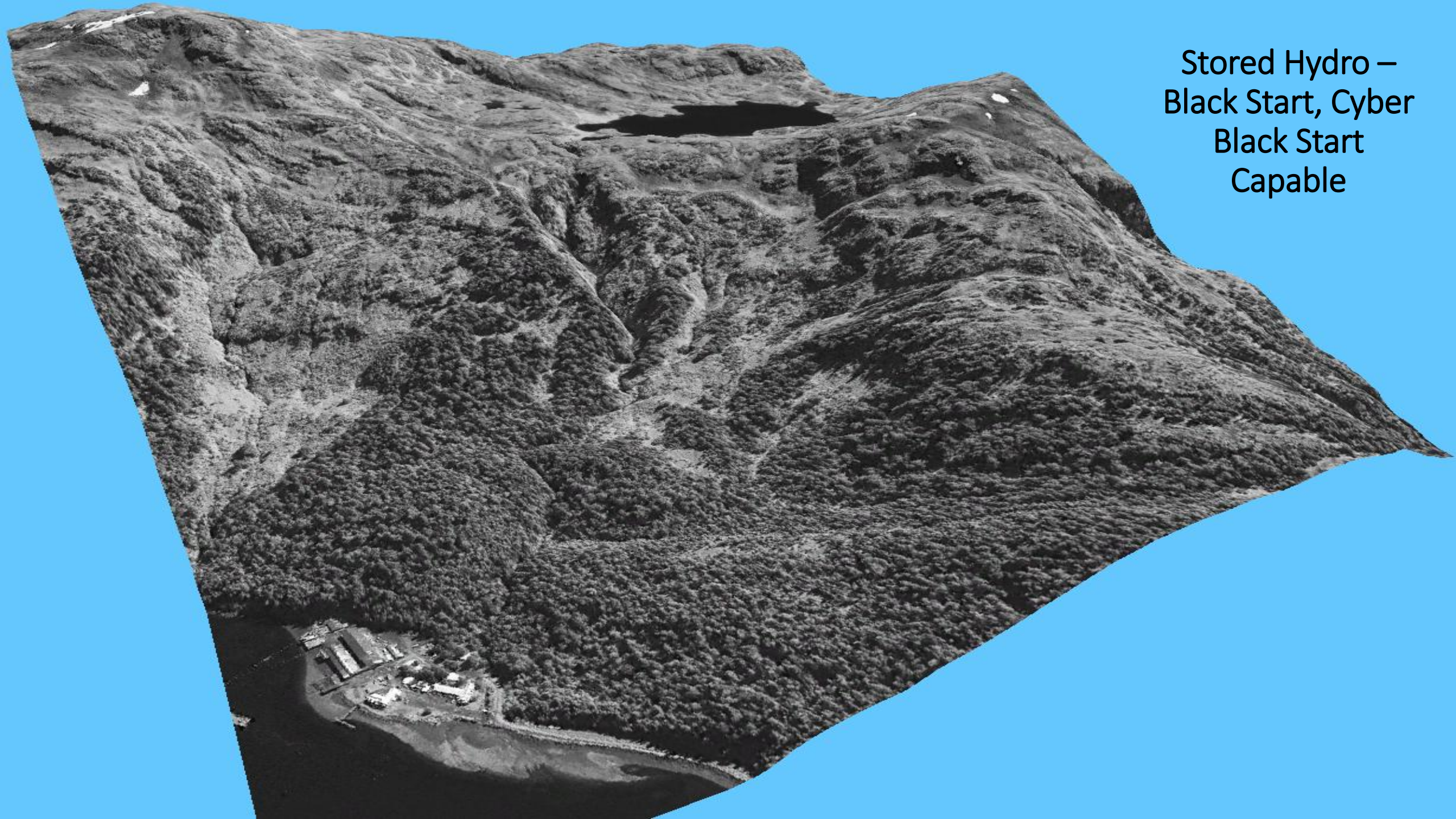
Humpback Creek Plant, Cordova.
Deflector controls on hydraulics can provide frequency control. Estimated cost \$100,000. Is it worth it for a 250kW machine to provide only 200 kW of spinning reserve on a system that peaks at 8MW. It would add significant resiliency



BESS for Black Start

Didn't Perform
Modifications in Process
Proceed with Caution





Stored Hydro –
Black Start, Cyber
Black Start
Capable

QUESTIONS?

