

NEPA COMPLIANCE SURVEY

258



Project Information			
Project Title:	Weir Box for Tensleep discharge	Date:	11-12-09
DOE Code:		Contractor Code:	
Project Lead:	Dan Smallwood		
Project Overview 1. What are the environmental impacts? 2. What is the legal location? 3. What is the duration of the project? 4. What major equipment will be used if any (work over rig, drilling rig, etc.)?		The primary functions of the bio-treatment facility consist of oil-water separation, cooling, blending, and biological treatment of produced waters. The original facility was designed to treat an average of 50,000 barrels of produced water per day. RMOTC will install at the Tensleep cooling ponds outflow an open channel flow meter suitable for fixed-site monitoring with sensors to measure levels. The flow meter shall contain conversions for V-notch weirs, rectangular weirs with and without end contractions. The new discharge unit will make use of site topography to facilitate gravity flow. The receiving creek is small with a steep bank rising 10 or more feet above the normal water level in the creek. The creek is fed primarily by the discharge from the biotreatment facility, which is approximately 30 feet higher in elevation than the creek bed. No flood protection is required for the facility. The project shall take approximately three weeks using backhoe, dump truck, welding truck.	

The table below is to be completed by the Project Lead and reviewed by the Environmental Specialist and the DOE NEPA Compliance Officer. NOTE: If Change of Scope occurs, Project Lead must submit a new NEPA Compliance Survey and contact the Technical Assurance Department.

	Impacts Anticipated?			If YES, then complete below
	Yes	No	NA	If the anticipated impact might be unacceptable, recommend mitigation measures:
Water Quality				
Does the proposed project present potential for impacts on water resources or water quality?	<input type="checkbox"/>	<input checked="" type="checkbox"/>	<input type="checkbox"/>	
Does the project affect surface water quantity or quality under both normal operations and accident conditions?	<input type="checkbox"/>	<input checked="" type="checkbox"/>	<input type="checkbox"/>	
Does the proposed project affect groundwater quantity or quality under both normal operations and accident conditions?	<input type="checkbox"/>	<input checked="" type="checkbox"/>	<input type="checkbox"/>	
Will the project area include "Waters of the State?"	<input type="checkbox"/>	<input checked="" type="checkbox"/>	<input type="checkbox"/>	
Will the project area require a Corps of Engineers permit?	<input type="checkbox"/>	<input checked="" type="checkbox"/>	<input type="checkbox"/>	


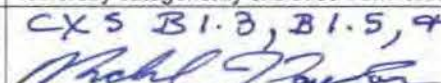
NEPA COMPLIANCE SURVEY

	Impacts Anticipated?			If YES, then complete below.
	Yes	No	NA	If the anticipated impact might be unacceptable, recommend mitigation measures:
Geology & Soils				
Does the proposed project present potential for impacts related to geology or soils?	<input type="checkbox"/>	<input checked="" type="checkbox"/>	<input type="checkbox"/>	
Does the proposed project alter, excavate or otherwise disturb land area consistent with other land use and habitat area?	<input type="checkbox"/>	<input checked="" type="checkbox"/>	<input type="checkbox"/>	
Is the proposed project likely to impact local seismicity?	<input type="checkbox"/>	<input checked="" type="checkbox"/>	<input type="checkbox"/>	
If the project involved disturbance of surface soils, are erosion and storm water control measures addressed?	<input checked="" type="checkbox"/>	<input type="checkbox"/>	<input type="checkbox"/>	Best Management Practices will be followed to prevent erosion. This will be a repair and replacement project that will require stopping the lower pond from discharging until the new weir box is installed.
Air Quality				
Does the proposed action present potential for impacts on ambient air quality under both normal and accident conditions?	<input type="checkbox"/>	<input checked="" type="checkbox"/>	<input type="checkbox"/>	
Are potential emissions (gases and/or airborne particulates including dust) outside of the normal scope for oil field operations?	<input type="checkbox"/>	<input checked="" type="checkbox"/>	<input type="checkbox"/>	
Does the project present risk to human health and the environment from exposure to radiation and hazardous chemicals in emissions?	<input type="checkbox"/>	<input checked="" type="checkbox"/>	<input type="checkbox"/>	
Is the project subject to New Source Performance Standards?	<input type="checkbox"/>	<input checked="" type="checkbox"/>	<input type="checkbox"/>	
Is the project subject to National Emissions Standards for Hazardous Air Pollutants?	<input type="checkbox"/>	<input checked="" type="checkbox"/>	<input type="checkbox"/>	
Is the project subject to emissions limitations in an Air Quality Control Region?	<input type="checkbox"/>	<input checked="" type="checkbox"/>	<input type="checkbox"/>	

NEPA COMPLIANCE SURVEY

	Impacts Anticipated?			If YES, then complete below.
Wildlife and Habitat	Yes	No	NA	If the anticipated impact might be unacceptable, recommend mitigation measures:
Does the proposed action present potential for impacts on wildlife or habitat?	<input checked="" type="checkbox"/>	<input type="checkbox"/>	<input type="checkbox"/>	Every effort must be made to prevent wildlife from entering the ponds while under construction.
Does the project impact state or federally listed threatened and endangered species?	<input type="checkbox"/>	<input checked="" type="checkbox"/>	<input type="checkbox"/>	
Human Health Effects	Yes	No	NA	If the anticipated impact might be unacceptable, recommend mitigation measures:
Does the proposed project present potential for effects on human health? e.g.: Hanta virus, radiological exposure, or chemical exposure (must provide MSDS)	<input type="checkbox"/>	<input checked="" type="checkbox"/>	<input type="checkbox"/>	
Transportation	Yes	No	NA	If the anticipated impact might be unacceptable, recommend mitigation measures:
Does the proposed project involve transportation of radiological sources or hazardous materials (including explosives)?	<input type="checkbox"/>	<input checked="" type="checkbox"/>	<input type="checkbox"/>	
Waste Management and Waste Minimization	Yes	No	NA	If the anticipated impact might be unacceptable, recommend mitigation measures:
Are pollution prevention and waste minimization practices needed in the proposed project?	<input checked="" type="checkbox"/>	<input type="checkbox"/>	<input type="checkbox"/>	Best Management Practices will be used to prevent soil and silt erosion.
Does project plan establish procedures in compliance with local, state and/or federal laws and guidelines affecting the generation, transportation, treatment, storage or disposal of hazardous and other wastes?	<input checked="" type="checkbox"/>	<input type="checkbox"/>	<input type="checkbox"/>	A JSA will be performed before work begins each day. SOPs will be reviewed for compliance to State and Federal Regulations
	Impacts Anticipated?			If YES, then complete below.
Cultural Impact	Yes	No	NA	If the anticipated impact might be unacceptable, recommend mitigation measures:
Is there potential for impact on cultural (historic) resources?	<input type="checkbox"/>	<input checked="" type="checkbox"/>	<input type="checkbox"/>	This area was reviewed by an Archeologist with little impact

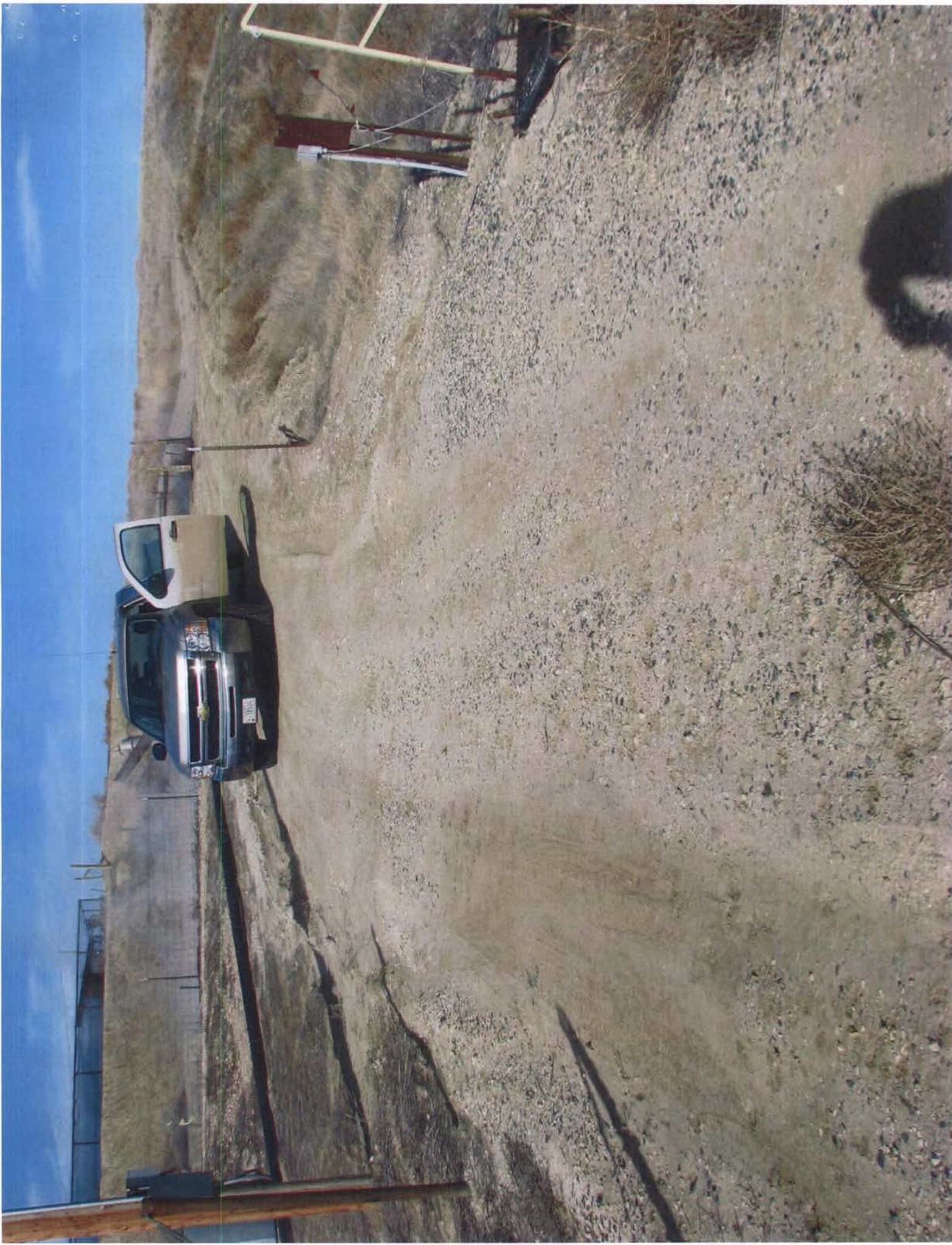
NEPA COMPLIANCE SURVEY

Community Impact	Yes	No	NA	If the anticipated impact might be unacceptable, recommend mitigation measures:
Will the proposed project introduce significantly adverse auditory, visual, or other impact?	<input type="checkbox"/>	<input checked="" type="checkbox"/>	<input type="checkbox"/>	
Will the proposed project adversely affect the community's use of public land/resources?	<input type="checkbox"/>	<input checked="" type="checkbox"/>	<input type="checkbox"/>	
Will the proposed project adversely affect the community's access to private land?	<input type="checkbox"/>	<input checked="" type="checkbox"/>	<input type="checkbox"/>	
NOTE: Topography Map and Wetlands Map are required to be attached. Attach applicable SOPs for Risk Assessment Level 2 & 3 and specific test procedures.				
Are permits required? If YES, list below:				Yes <input checked="" type="checkbox"/> No <input type="checkbox"/>
trenching				
Section below to be reviewed by Environmental Specialist and DOE NCO.				
Adequate Mitigation Measures Provided?			Adequate Mitigation Measures Provided?	
	Yes	No		Yes
Water Quality Impacts	<input checked="" type="checkbox"/>	<input type="checkbox"/>	Transportation Impacts	<input checked="" type="checkbox"/>
Air Quality Impacts	<input checked="" type="checkbox"/>	<input type="checkbox"/>	Waste Management Impacts	<input checked="" type="checkbox"/>
*Wildlife and Habitat Impacts	<input checked="" type="checkbox"/>	<input type="checkbox"/>	Cultural Impacts	<input checked="" type="checkbox"/>
Geology and Soils Impacts	<input checked="" type="checkbox"/>	<input type="checkbox"/>	Community Impact	<input checked="" type="checkbox"/>
Human Health Impacts	<input checked="" type="checkbox"/>	<input type="checkbox"/>	Categorical Exclusion	<input checked="" type="checkbox"/>
Approvals				
Comments and Conditions:	<p>B1.5 Minor improvements to cooling water systems within an existing building or structure if the improvements would not: (1) Create new sources of water or involve new receiving waters; (2) adversely affect water withdrawals or the temperature of discharged water; or (3) increase introductions of or involve new introductions of hazardous substances, pollutants, contaminants, or CERCLA-excluded petroleum and natural gas products.</p> <p>B1.8 Modifications to screened water intake and outflow structures such that intake velocities and volumes and water effluent quality and volumes are consistent with existing permit limits.</p> <p>B1.3 Routine maintenance activities and custodial services for buildings, structures, rights-of-way, infrastructures (e.g., pathways, roads, and railroads), vehicles and equipment, during which operations may be suspended and resumed. Routine maintenance may result in replacement to the extent that replacement is in kind and is not a substantial upgrade or improvement. In kind replacement includes installation of new components to replace outmoded components if the replacement does not result in a significant change in the expected useful life, design capacity, or function of the facility. Routine maintenance does not include replacement of a major component that significantly extends the originally intended useful life of a facility. Routine maintenance activities include, but are not limited to: (a) Repair of facility equipment, such as pumps, and presses; (h) Repair of road embankments;</p>			
Contractor ESS&H	S. Shire 			Date 11/16/09
Comments and Conditions:	Based on my review of information conveyed to me and in my possession (or attached) concerning the proposed action, as NEPA Compliance Officer (as authorized under DOE Order 451.1A), I have determined that the proposed action fits within the specified class of actions, the other regulatory requirements set forth above are met, and the proposed action is hereby categorically excluded from further NEPA review.			
DOE NEPA Compliance Officer	CXS B1.3, B1.5, & B1.8. 			Date 11/16/09





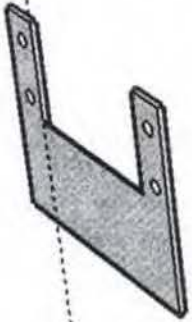








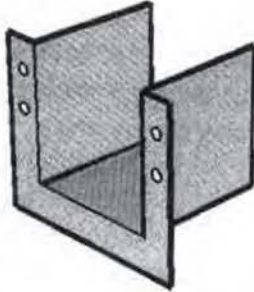
Steel Weir Plate with an exact .12"x24" slot



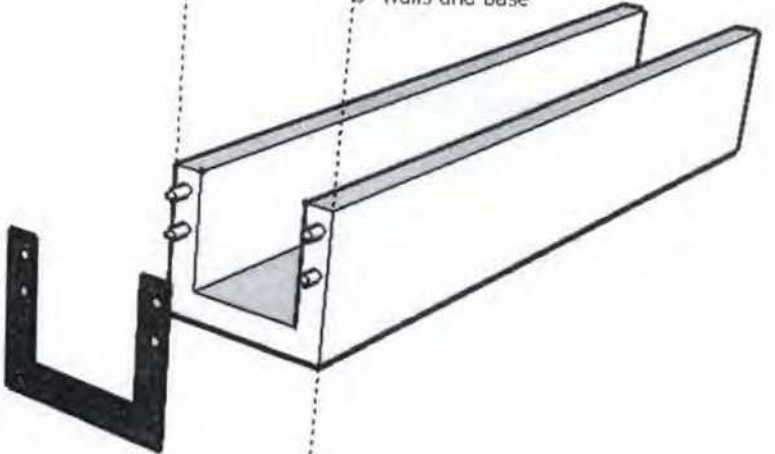
Liner Gasket



Smooth Steel Sluice Liner with an id of exactly 24"x24" Liner Gasket



Concrete Sluice Channel Circa 24"x24" id 5" walls and base



2 - 3/16" X 4 X 8

SIPPLON

